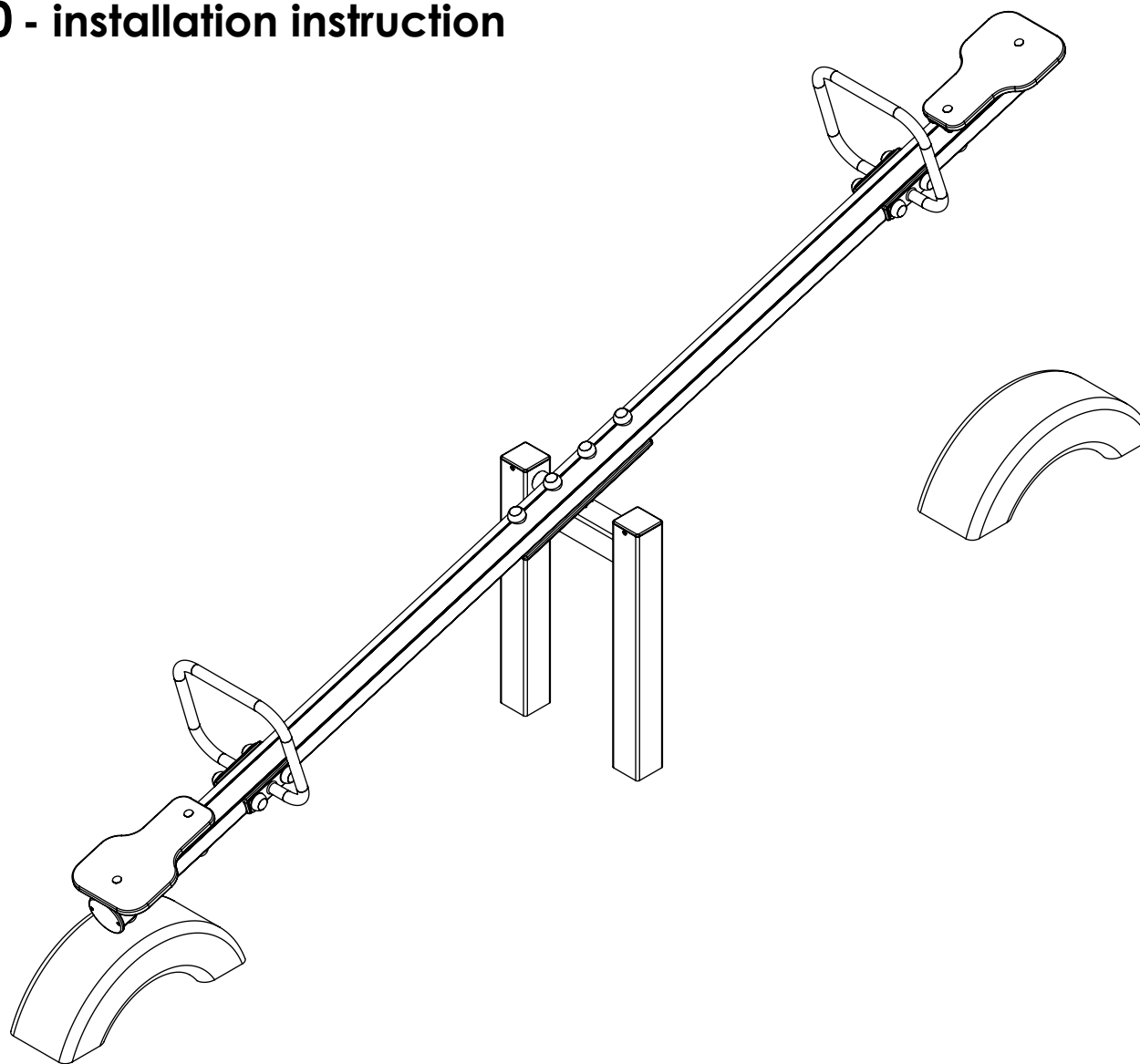
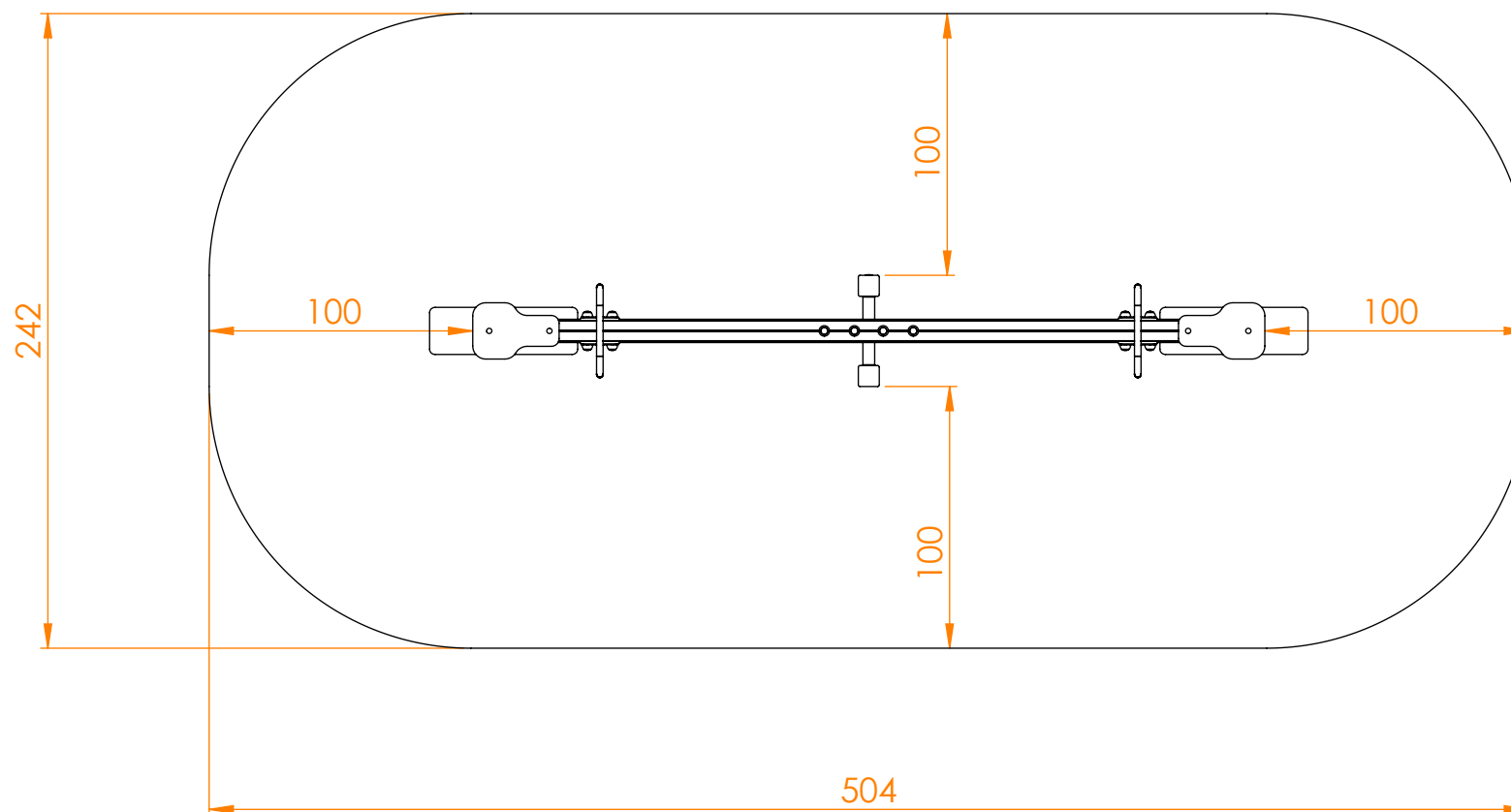


## PZA R550 - installation instruction



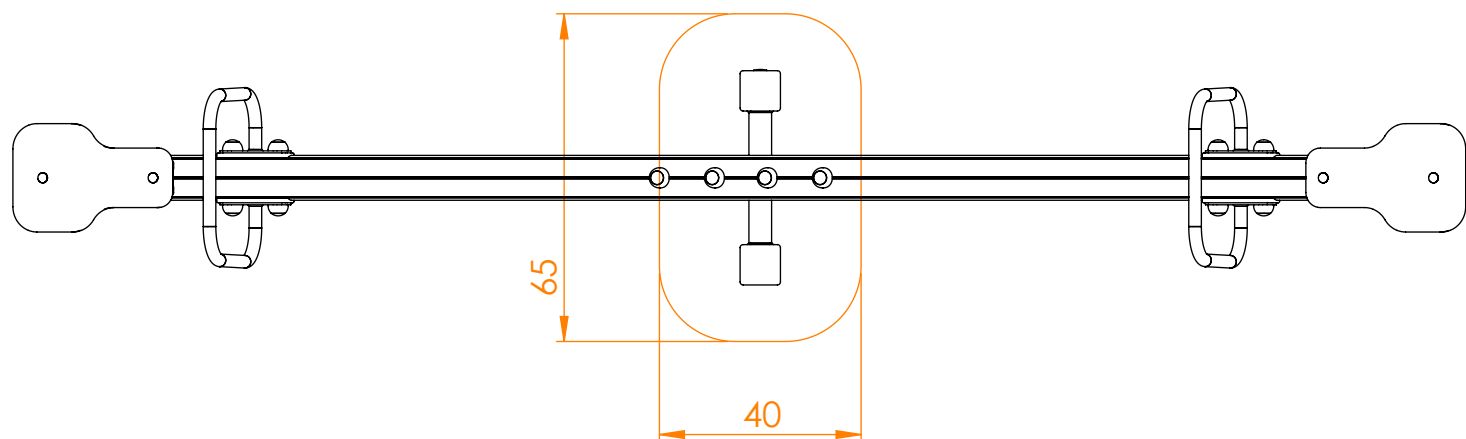
Dimensions of the safety zone

[cm]



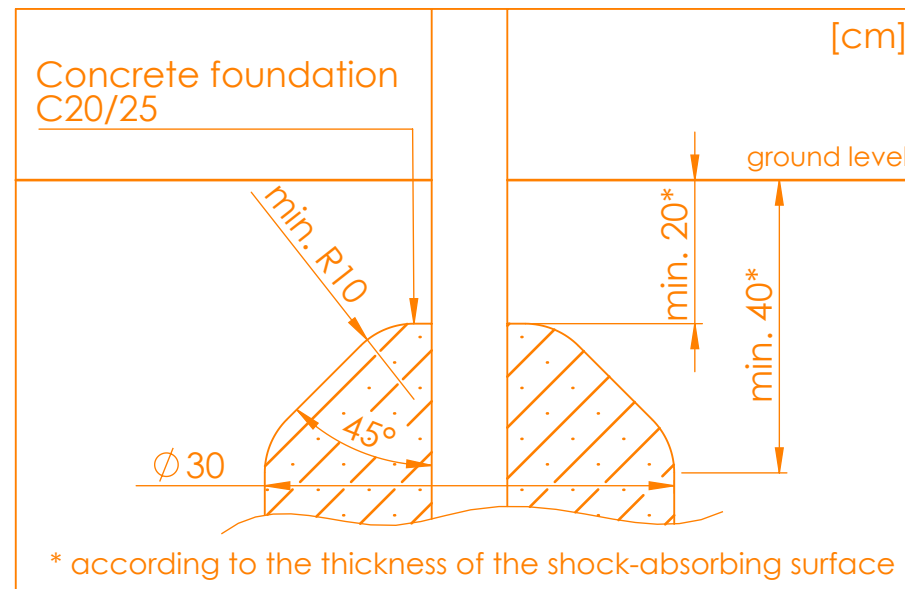
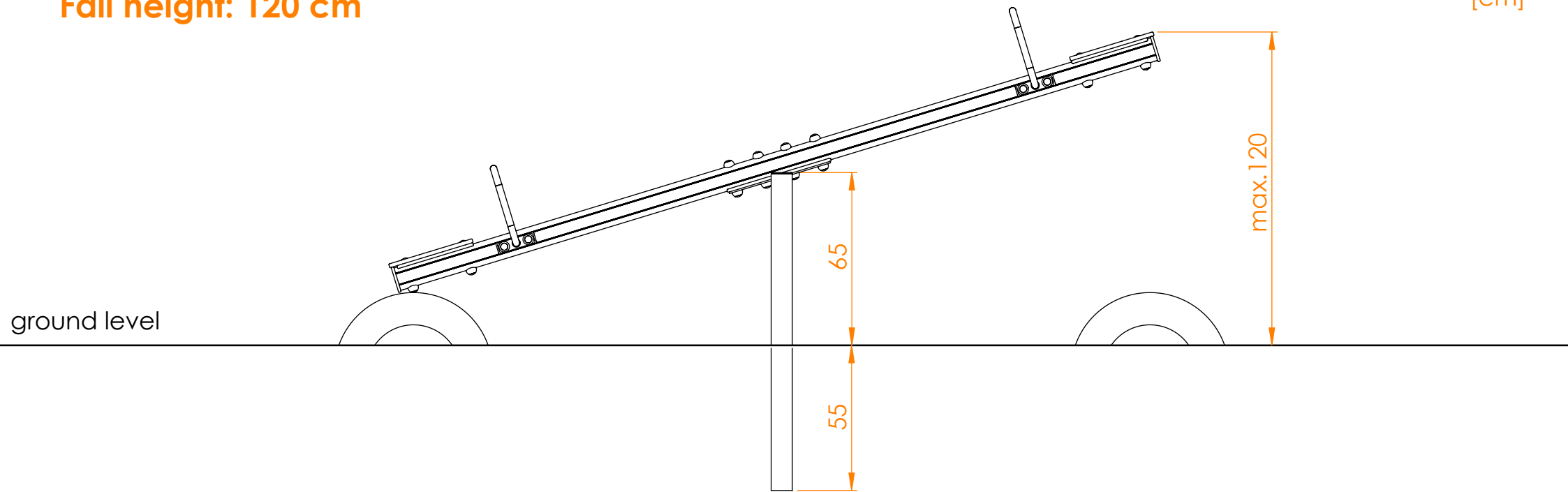
Arrangement of mounting holes

[cm]



Fall height: 120 cm

[cm]



## Acceptable shock absorbing surfaces and their minimum thickness

Material	Description [mm]	Minimum depth [cm]	Maximum free heights of fall [cm]
Turf/topsoil	-	-	≤ 100
Bark	20 to 80 particle size	30	≤ 200
		40	≤ 300
Woodchip	5 to 30 particle size	30	≤ 200
		40	≤ 300
Sand or gravel	0,25 to 8 grain size	30	≤ 200
		40	≤ 300
Other materials	As tested according to EN 1177		Critical fall height as tested

**STEP 1:** Connect beam with steel construction and add seats and handles.

